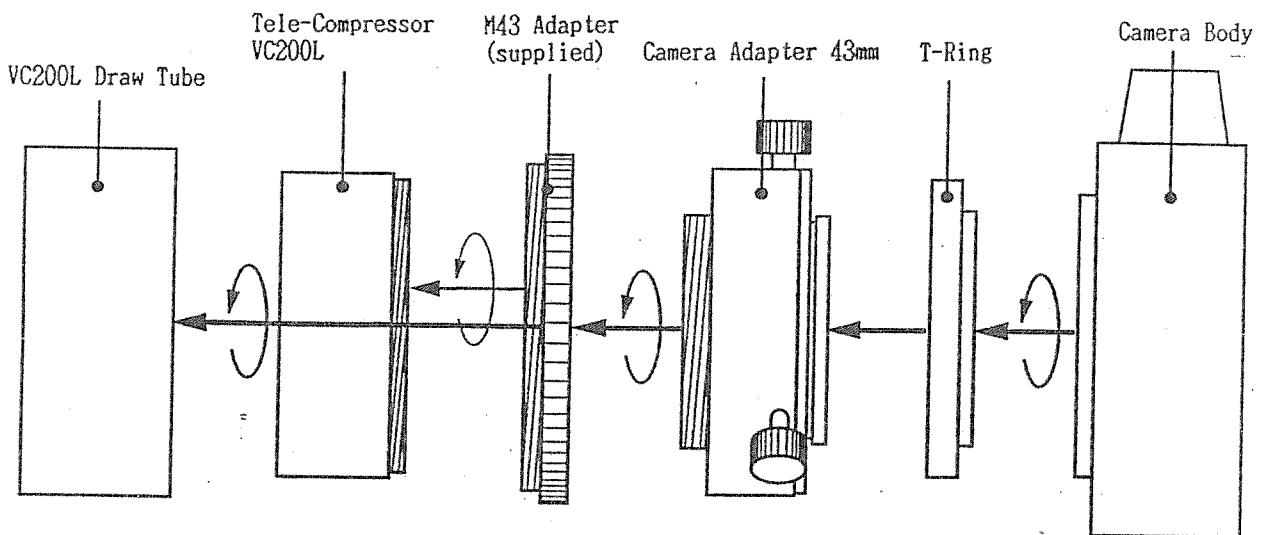


VIXEN

TELE-COMPRESSOR VC200L

The Tele-Compressor VC200L, which can be used only for photographing with the VC200L telescope, reduces the effective focal length to 1280mm (F6.4) from 1800mm (F9). For photographing, an optional Camera Adapter 43mm or Direct Wide Photo Adapter 60mm as well as an optional T-Ring is needed.

1. Using T-Ring and Camera Adapter 43mm with Tele-Compressor VC200L



2. Using T-Ring and Direct Wide Photo Adapter 60mm with Tele-Compressor VC200L

